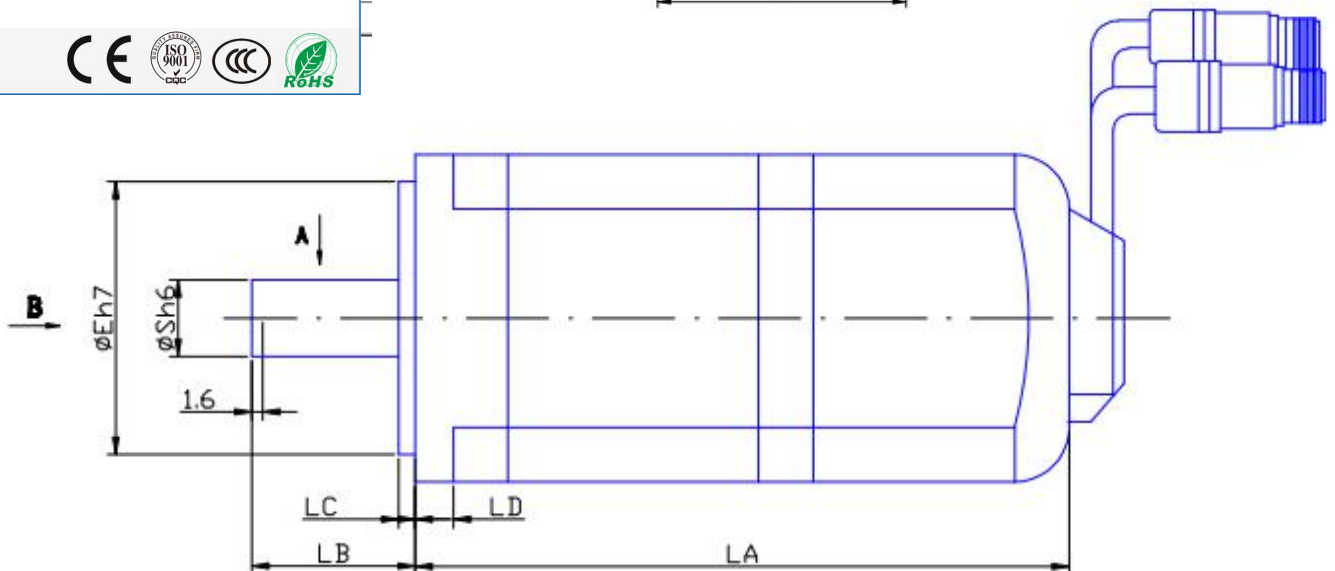
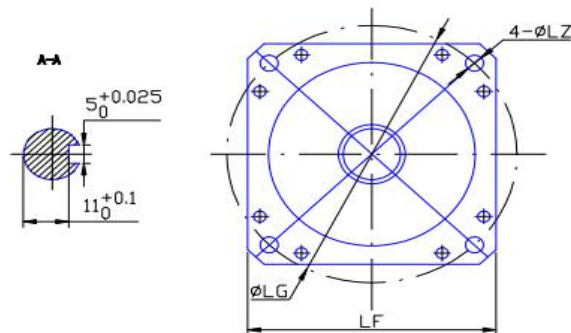


SERVO MOTOR 60 SERIES				
Motor model	60ST-M00630	60ST-M01330	60ST-M01330(130L)	60ST-M01930
Rated power(Kw)	200	220	220	220
Rated voltage(V)	220	220	220	220
Rated cutter(A)	1.5	2.8	2.8	3.5
Rated speed(rpm)	3000	3000	3000	3000
Holding torque(N·m)	0.637	1.27	1.27	1.99
Peak torque(N·m)	1.911	3.8	3.8	5.73
Peak cutter(A)				
Voltage constant(V/1000r/min)	28	38	28	28
Torque coefficient(N·m/A)	0.42	0.5	0.5	0.55
Rotor inertia(Kg·m ²)	0.17*10 ⁻⁴	0.302*10 ⁻⁴	0.33*10 ⁻⁴	0.438*10 ⁻⁴
Phase Resistance(Ω)	11.6	5.83	4.3	3.49
Phase Inductance(mH)	22	12.23	10.5	8.47
Mechanical time constant(ms)	1.9	2.1	2.44	2.4
Weight(Kg)	1.11	1.33		1.78
Encoder line number(PPR)	2500	2500	2500	2500
Insulation class	Class B (130°C)			
Safety class	IP65			
The operation of environmental	Temperature:-20°C~+50°C Humidity: 90%RH No dewing			
Motor winding plug	Winding lead wire	u	v	w
	Plug serial number	2	3	4

Picture and Drawing



SERVO MOTOR 80 SERIES

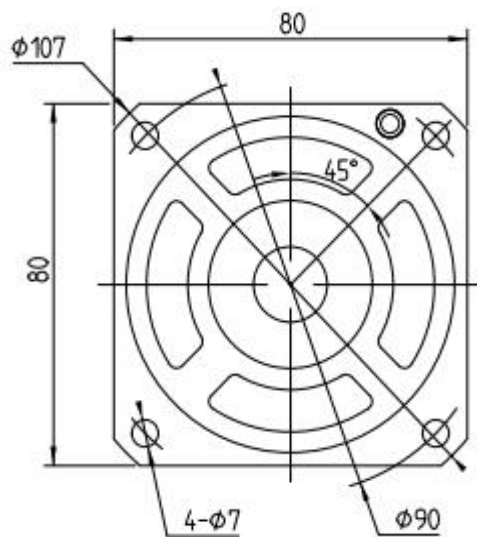
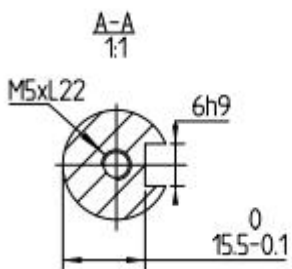
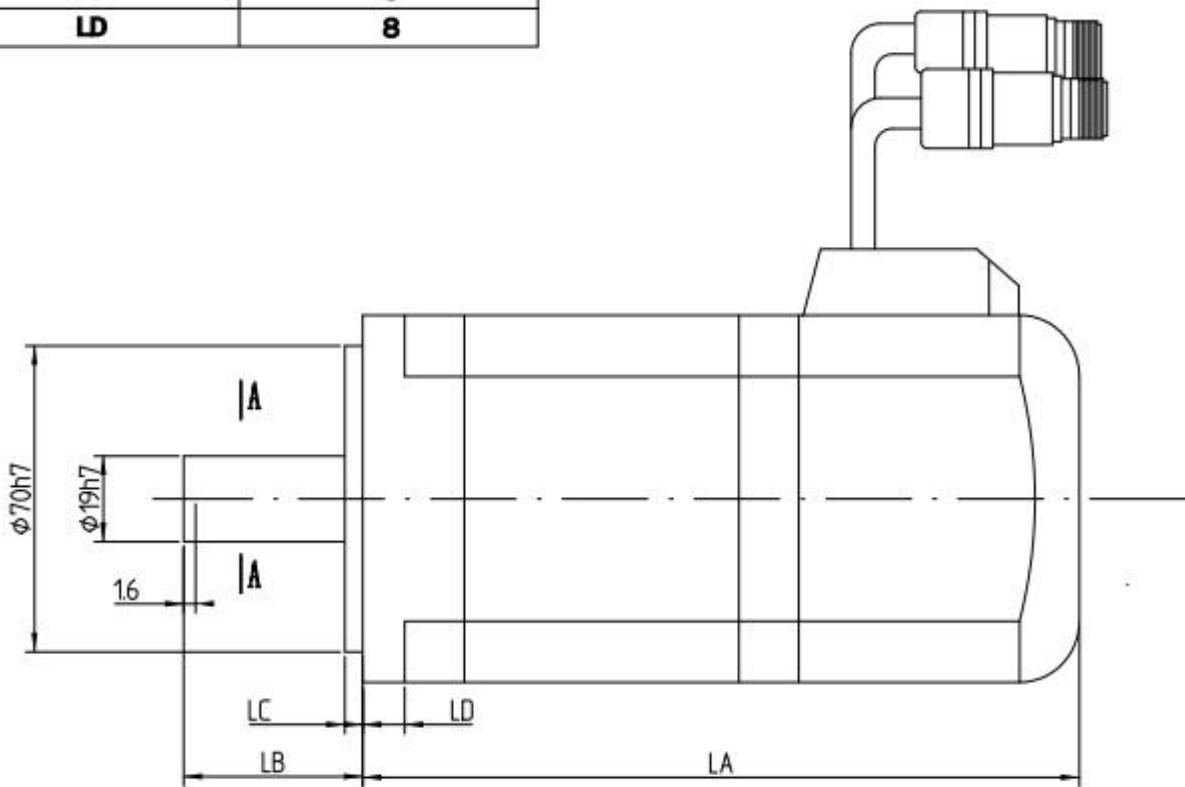
Motor model	80ST-M01330	80ST-M02430	80ST-M03520	80ST-M01930	80ST-M04025	80ST-M04030
Rated power(Kw)	0.4	0.75	0.73	1	1	1.2
Rated voltage(V)	220	220	220	220	220	220
Rated cutter(A)	2	3	3	3	4.4	5.2
Rated speed(rpm)	3000	3000	2000	3000	2500	3000
Holding torque(N·m)	1.27	2.39	3.5	3.5	4	4
Peak torque(N·m)	3.8	7.1	10.5	10.5	12	12
Peak cutter(A)	6	9	9	13.5	13.2	16
Voltage constant(V/1000r/min)	40	48	71	46	56	46
Torque coefficient(N·m/A)	0.64	0.8	1.17	0.78	0.9	0.77
Rotor inertia(Kg·m ²)	1.05*10 ⁻⁴	1.82*10 ⁻⁴	2.63*10 ⁻⁴	2.63*10 ⁻⁴	2.97*10 ⁻⁴	2.97*10 ⁻⁴
Phase Resistance(Ω)	4.44	2.88	3.65	1.56	1.83	1.33
Phase Inductance(mH)	7.93	6.4	8.8	3.76	4.72	3.27
Mechanical time constant(ms)	1.66	2.22	2.4	2.4	2.58	2.46
Weight(Kg)	1.78	2.86	3.7	3.7	3.8	3.8
Encoder line number(PPR)	2500	2500	2500	2500	2500	2500
Insulation class	Class B (130°C)					
Safety class	IP65					
The operation of environmental Conditions	Temperature:-20°C-+50°C Humidity: 90%RH No dewing					

Motor winding plug	Winding lead	u	v	w
	Plug serial number	2	3	4

PICTURE AND DRAWING



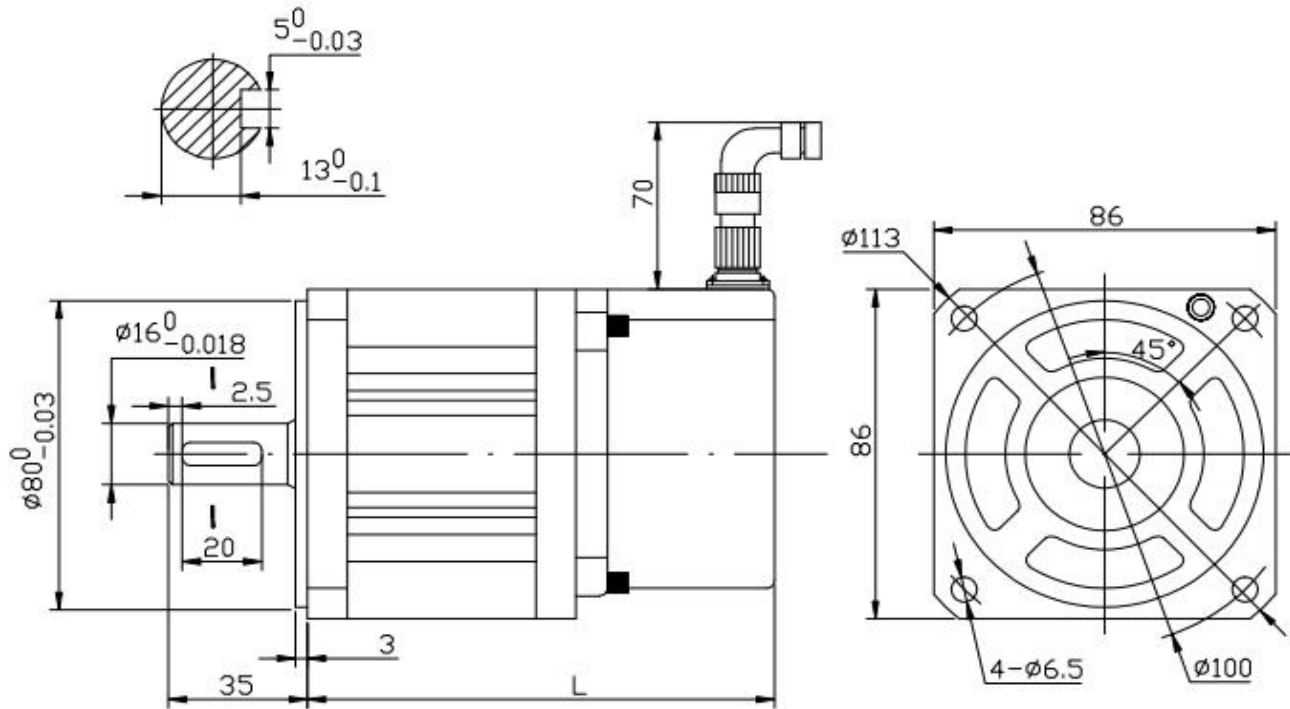
额定转矩 (N.m) Rated torque (N.m)	80ST-MQ2430
LA	150
LB	35
LC	3
LD	8



SERVO MOTOR 90ST-M SERIES

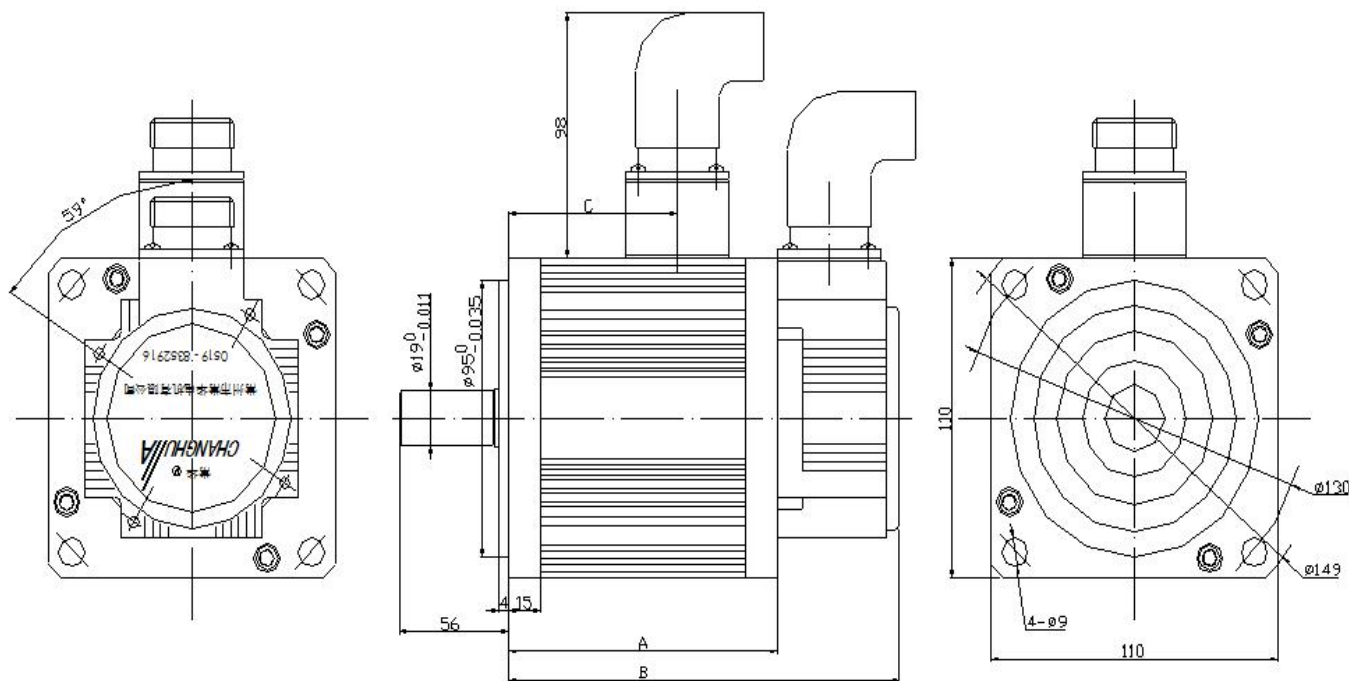
Motor model	90ST-M02430	90ST-M03520	90ST-M04025
Rated power(Kw)	0.75	0.73	1
Rated voltage(V)	220	220	220
Rated cutter(A)	2.4	3.5	4
Rated speed(rpm)	3000	2000	2500
Holding torque(N·m)	2.4	3.5	4
Peak torque(N·m)	7.2	10.5	12
Peak cutter(A)	7.2	10.5	12
Voltage constant(V/1000r/min)	62	65	61
Torque coefficient(N·m/A)	1	1	1
Rotor inertia(Kg·m ²)	0.25*10 ⁻³	0.34*10 ⁻³	0.37*10 ⁻³
Phase Resistance(Ω)	4.4	2.6	2
Phase Inductance(mH)	11.6	7.6	6.4
Mechanical time constant(ms)	2.2	2.39	2.3
Weight(Kg)	3	3.8	4.2
Encoder line number(PPR)	2500		
Insulation class	Class B (130°C)		
Safety class	IP65		
The operation of environmental Conditions	Temperature:-20°C -+50°C Humidity:90%RH No dewing		

● 安装尺寸 Installation Dimension: unit=mm



AC SERVO MOTOR 110SM				
Motor model	110SM02030	110SM04030	110SM05030	110SM06020
Power	0.6	1.2	1.5	1.2
0-speed torque(Nm)	2	4	5	6
Rated speed(rpm)	3000	3000	3000	2000
Rated current(A)	4	5	6	6
Rotor inertia(Kg · m ²)	0.33*10 ⁻³	0.65*10 ⁻³	0.82*10 ⁻³	1.0*10 ⁻³
Mechanical time constant(ms)	2.3	2.99	3.16	3.02
Encoder line number (P/R)	2500			
Insulation class	B			
The operation of environmental Conditions	Operating Temperature: (0~55) °C Humidity: Less than 90% (No consideration)			
Driver Model	Domesticdrives or Panasonic and other imported appropriate drives			
Voltage(AC)	3ΦAC220V -15%~+10% 50/60Hz			
Working method	Continuous			
Operating environment	Operating Temperature: (0~55) °C Storage Temperature: (-20~80) °C Humidity: Less than 90% (No consideration) Vibration: Less than 0.5g(4.9m/S2),10~60Hz(Discontinued Operation)			
Control method	PWM Sine Wave Control			
Torque speed diagram	P1	P2	P3	P4

Installation dimension				
0-speed torque(Nm)	2	4	5	6
A(mm)	106(171)	136(201)	151(216)	166(231)
B(mm)	154(219)	136(249)	199(264)	214(279)
C(mm)	71	136	116	131





CHANGZHOU CHANGHUA MOTOR CO.,LTD

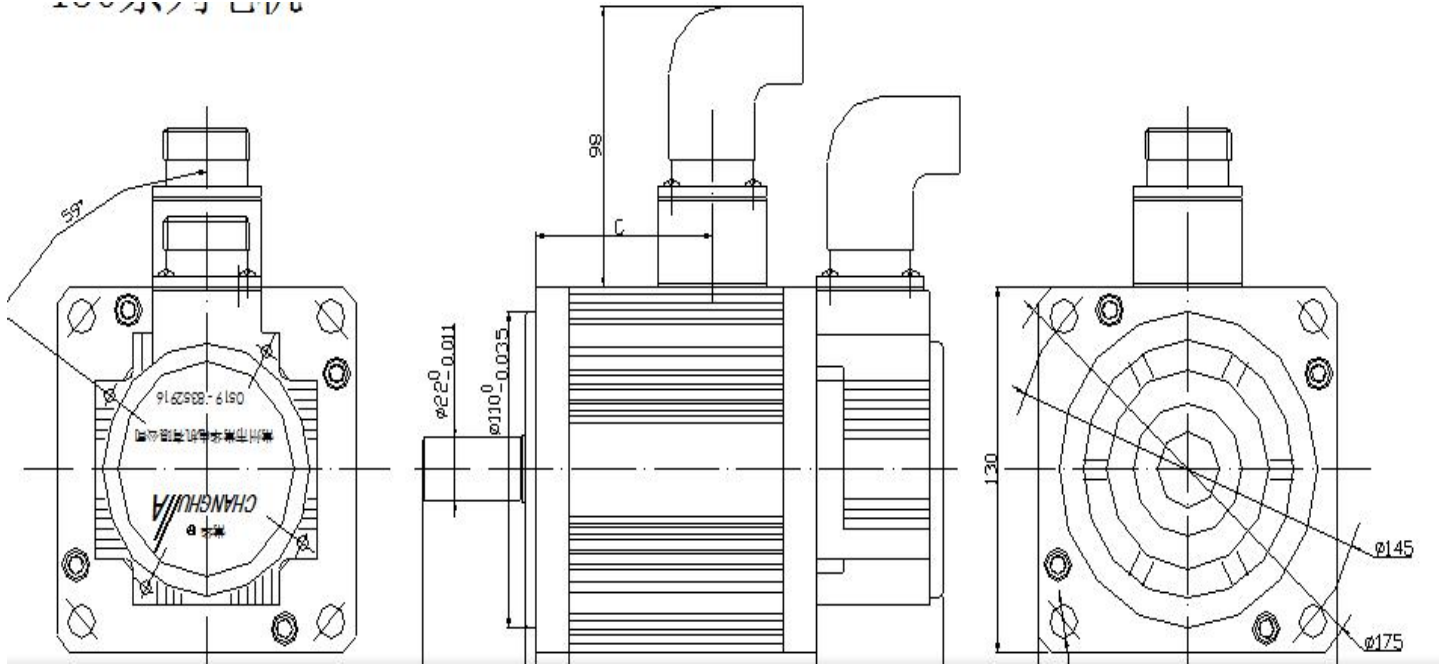
Add.:Changhua Motor Yin Zhuang Bridge Qisuyan District Changzhou Jiangsu China

Tel.:86-519-88351194 Fax.:86-519-88352916 Phone:86-13912315681 Email:1690801501@qq.com

AC SERVO MOTOR 130SM SERIES			
Motor model	130SM04025	130SM05025	130SM06025
Power	1	1.3	1.5
0-speed torque(Nm)	4	5	6
Rated speed(rpm)	2500	2500	2500
Rated current(A)	4	5	6
Rotor inertia(Kg · m ²)	0.85*10 ⁻³	1.06*10 ⁻³	1.26*10 ⁻³
Mechanical time constant(ms)	2.58	2.89	3.05
Encoder line number (P/R)	2500		
Insulation class	B		
The operation of environmental Conditions	Operating Temperature: (0~55) °C Humidity: Less than 90% (No consideration)		
Driver Model	Domestic drives or Panasonic and other imported appropriate drives		
Voltage(AC)	3ΦAC220V -15%~+10% 50/60Hz		
Working method	Continuous		
Operating environment	Operating Temperature: (0~55) °C Storage Temperature: (-20~80) °C Humidity: Less than 90% (No consideration) Vibration: Less than 0.5g(4.9m/S ²),10~60Hz(Discontinued Operation)		
Control method	PWM Sine Wave Control		
Torque speed diagram(T-M)	P5	P6	P7

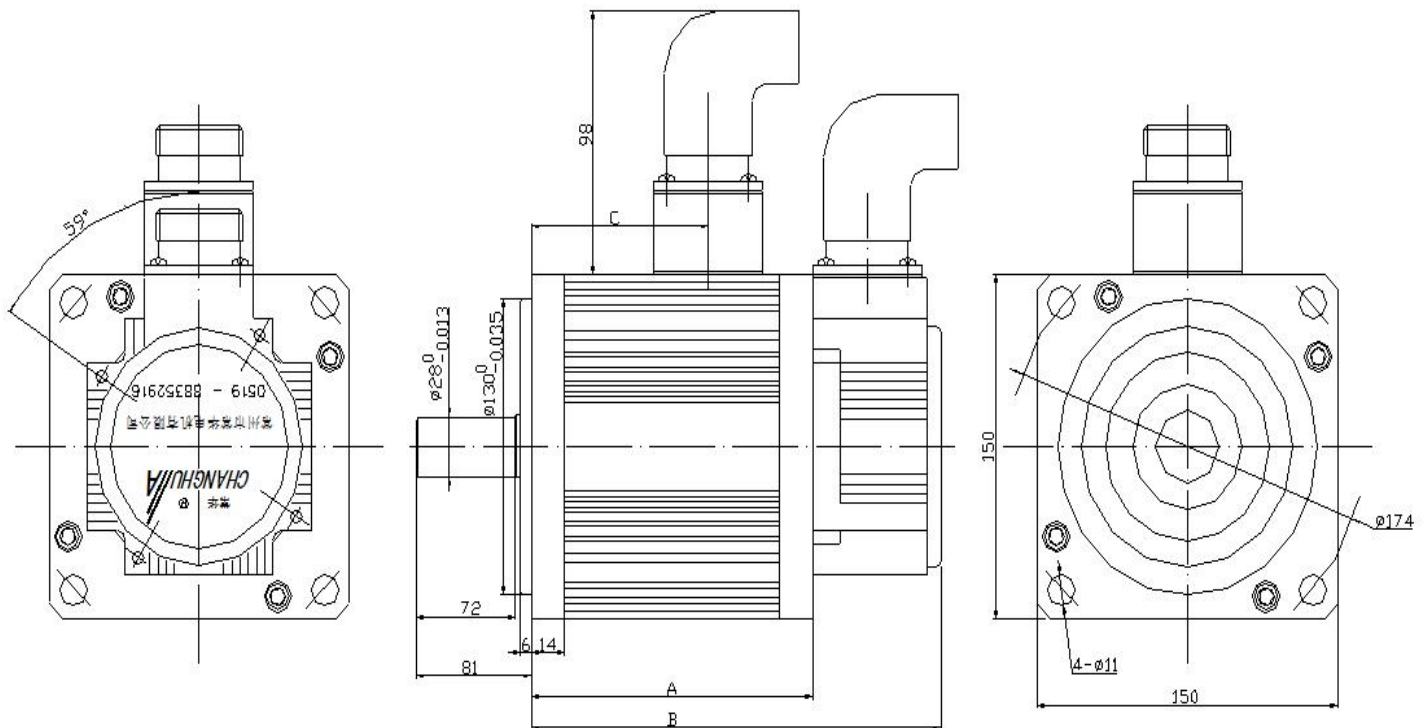
AC SERVO MOTOR 130SM SERIES			
Motor model	130SM07720	130SM10015	130SM15015
Power	1.6	1.6	2.3
0-speed torque(Nm)	7.7	10	15
Rated speed(rpm)	2000	1500	1500
Rated current(A)	6	6	9.5
Rotor inertia(Kg · m ²)	1.58*10 ⁻³	2.14*10 ⁻³	3.24*10 ⁻³
Mechanical time constant(ms)	3.18	3.54	3.89
Encoder line number (P/R)	2500		
Insulation class	B		
The operation of environmental Conditions	Operating Temperature: (0~55) °C Humidity: Less than 90% (No consideration)		
Driver Model	Domestic drives or Panasonic and other imported appropriate drives		
Voltage(AC)	3ΦAC220V -15%~+10% 50/60Hz		
Working method	Continuous		
Operating environment	Operating Temperature: (0~55) °C Storage Temperature: (-20~80) °C Humidity: Less than 90% (No consideration) Vibration: Less than 0.5g(4.9m/S ²),10~60Hz(Discontinued Operation)		
Control method	PWM Sine Wave Control		
Torque speed diagram(T-M)	P8	P9	P10

100/150/200



150SM SERVO MOTOR					
Motor model	150SM12030	150SM15025	150SM18020	150SM23020	150SM27020
Power	3.6	3.8	3.6	4.7	5.5
0-speed torque(Nm)	12	15	18	23	27
Rated speed(rpm)	3000	2500	2000	2000	2000
Rated current(A)	16.5	16.5	16.5	20.5	20.5
Rotor inertia(Kg · m ²)	4.2*10 ⁻³	5.2*10 ⁻³	6.3*10 ⁻³	8.0*10 ⁻³	9.4*10 ⁻³
Mechanical time constant(ms)	2.66	2.64	2.39	2.31	2.11
Encoder line number (P/R)	2500				
Insulation class	B				
The operation of environmental Conditions	Operating Temperature: (0~55) °C Humidity: Less than 90% (No consideration)				
Driver Model	Domestic drives or Panasonic and other imported appropriate drives				
Voltage(AC)	3ΦAC220V -15%~+10% 50/60Hz				
Working method	Continuous				
Operating environment	Operating Temperature: (0~55) °C Storage Temperature: (-20~80) °C Humidity: Less than 90% (No consideration) Vibration: Less than 0.5g(4.9m/S ²),10~60Hz(Discontinued Operation)				
Control method	PWM Sine Wave Control				
Torque speed diagram(T-M)	P11	图12	P13	P14	P15

Installation dimension					
0-speed torque(Nm)	12	15	18	23	27
A(mm)	157	175	195	225	251
B(mm)	205(278)	223(296)	243(316)	273(346)	299(372)
C(mm)	127	145	165	195	221



常华®
CHANGHUIA

